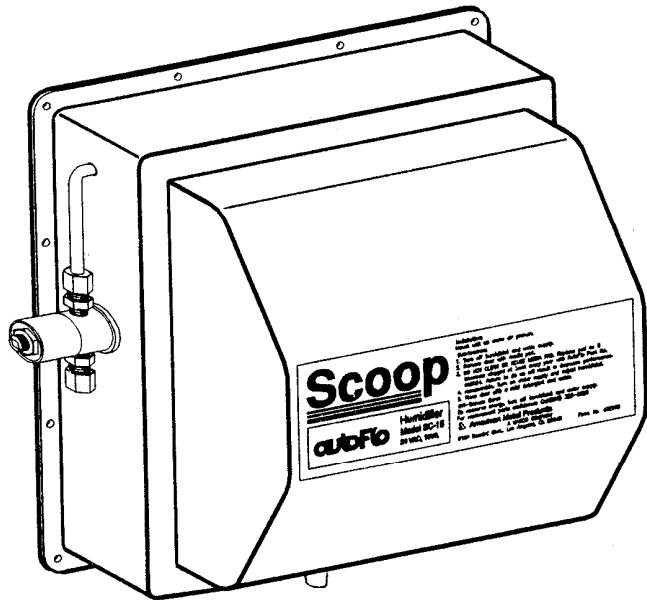


# AutoFlo Model SC-15R Home Comfort Humidifier

*Responsible performance with homeowner designed service simplicity.*

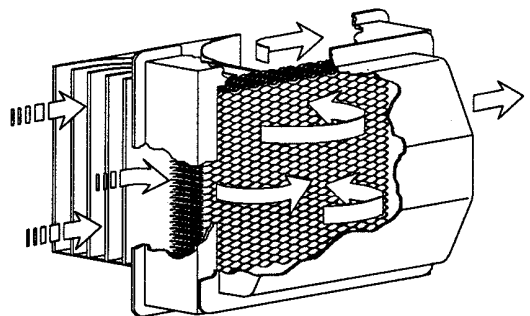
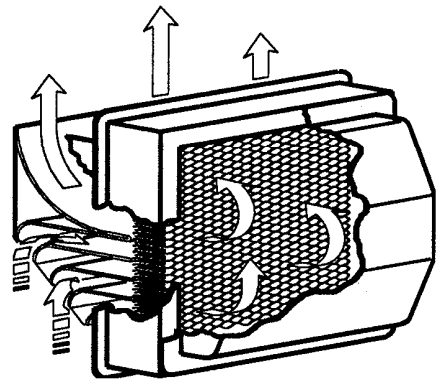


## **Complete Package. Exceptional performance.**

High capacity 15 gallon output per day for homes up to 2,000 square feet. Low on maintenance. No moving parts, all plastic housing. Single installation with only one plenum hole to cut.

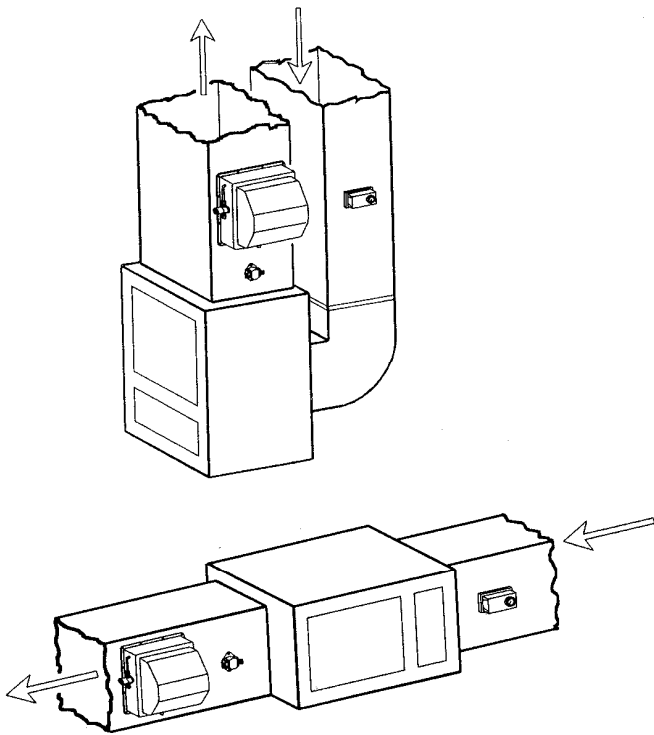
## **AutoFlo Humidifier's Work. Here's How.**

Revolutionary concept. The Scoop flow-through drain type humidifier, literally scoops up furnace air through the high capacity media pad and returns the moist air back into the heating system. Unique square door allows the louvers and pad to be turned for either vertical or horizontal applications.



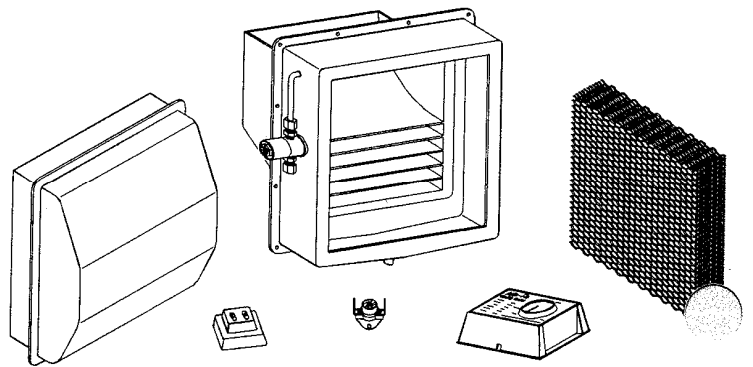
# With any forced air furnace, the AutoFlo Model SC-15R is all you need

## Typical Installation



## Model SC-15 R Service Parts

SC-EP	Evaporator Pay
25019	Solenoid Assembly
01580A	Saddle Valve Assembly
402087	Thermostat
062000	Humidistat
401501	Plug In Transformer



## Specifications:

Electrical: 24 Volt  
 Dimensions: 13 $\frac{3}{4}$  x 13 $\frac{3}{4}$   
 Plenum Opening Size: 11 x 11  
 Weight: 15lbs.  
 Capacity: 15.0 Gallon Per Day  
 (Rated in accordance with A.R.I. standards.)

